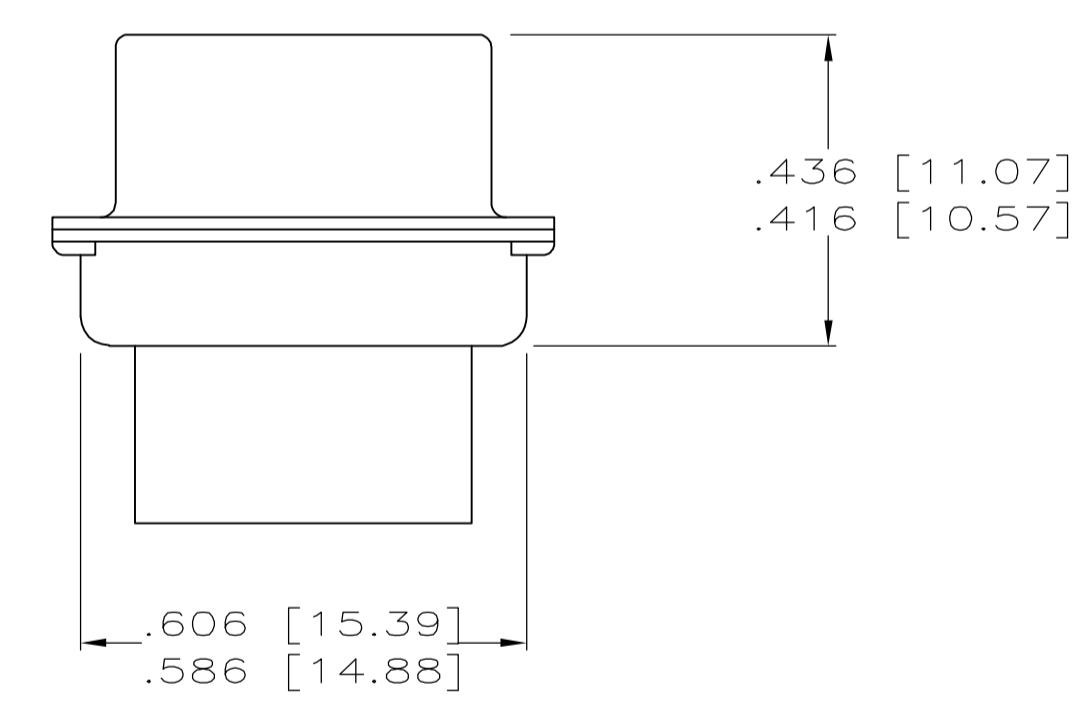
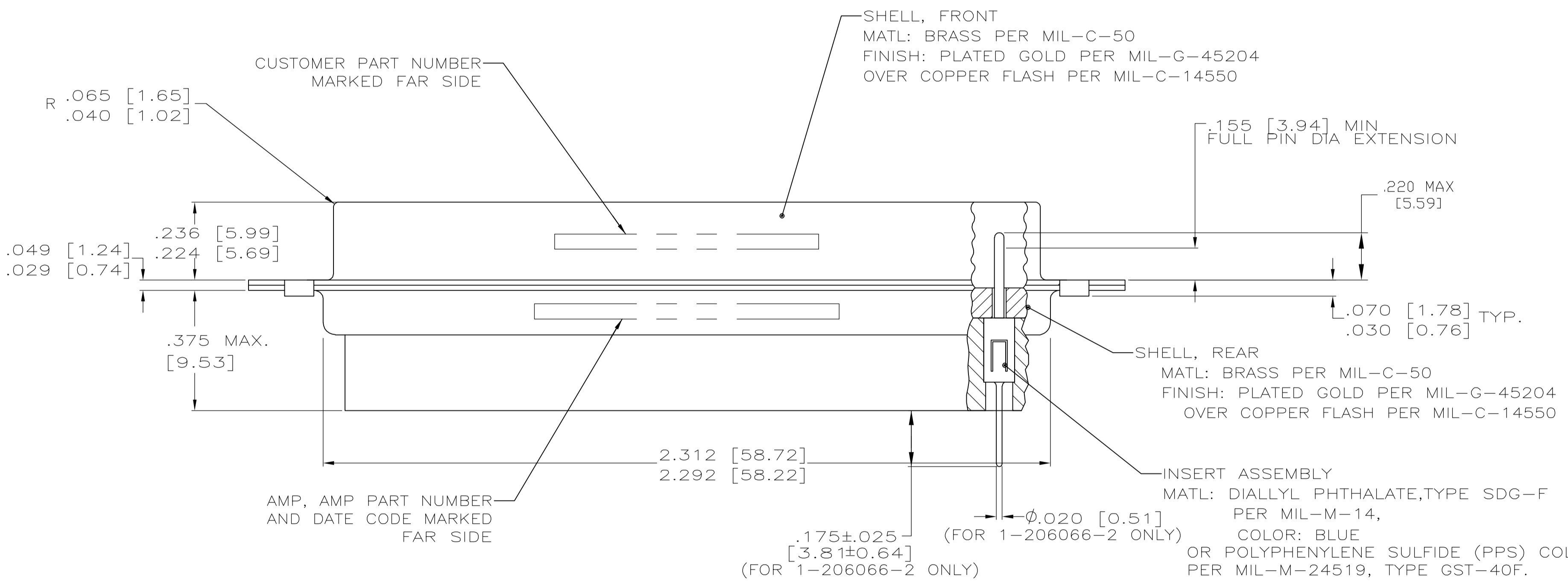


- THIS PLUG WILL MATE WITH ANY RECEPTACLE CONNECTOR WITH THE SAME INSERT ARRANGEMENT AS DEFINED BY MS14004-1.
 - MAXIMUM WIRE INSULATION USED WITH THIS PLUG IS .054 DIA.
 - Be-Cu RETENTION CLIPS ARE INCLUDED IN INSERTS.
- ⚠ THESE CONNECTORS ARE QUALIFIED TO GODDARD SPACE FLIGHT CENTER SPECIFICATION S-311-P-4.
 - ⚠ INSPECTION REQUIREMENTS PER R4383.
 - ⚠ CONNECTOR SUPPLIED WITH 115 CONTACTS, AMP PART NUMBER 204370-8. INSPECTION REQUIREMENTS PER R4383 WITHOUT TESTS FOR HIGH ALTITUDE DIELECTRIC WITHSTANDING VOLTAGE AS CALLED FOR IN TABLE II SCREENING AND TESTING.
 - ⚠ UL/CSA DESIGNATION STAMPED IN THIS AREA, OPTIONAL.
 - ⚠ RESTRICTED TO CAE ELECTRONICS ONLY.
 - ⚠ CONNECTOR LOADED WITH POSTED CONTACTS, INSPECTION REQUIREMENTS PER GENERAL ELECTRIC DOCUMENT 20025720



AMP PART NUMBER 204370-8
 GSFC PART NUMBER G-08-P1
 (SUPPLIED WITH 206066-7
 AND 1-206066-0 ONLY)

⚠	.120 [3.05]	570566-12	1-206066-4	1-206066-4
⚠	.120 [3.05]	20025720P2104P	1-206066-0	1-206066-2
⚠	.120 [3.05]	311P407-6P-B-12	206066-4	1-206066-1
---	.120 [3.05]	20025720P1104P	1-206066-0	1-206066-0
---	.120 [3.05]	1622251-001	206066-9	206066-9
---	.120 [3.05]	7636-11	206066-8	206066-8
⚠	.120 [3.05]	R4383P104P	206066-7	206066-7
⚠	.120 [3.05]	R4383P104P-2	206066-6	206066-6
---	.120 [3.05]	SC81D139-056	206066-5	206066-5
⚠	.120 [3.05]	311P407-6P-B-12	206066-4	206066-4
---	.154 [3.91]	---	206066-3	206066-3
⚠	.154 [3.91]	311P407-6P-B-15	206066-2	206066-2
---	.120 [3.05]	R9259P104P	206066-1	206066-1
REMARKS	DIA A	MARKED CUSTOMER P/N	MARKED AMP P/N	AMP PART NUMBER

THIS DRAWING IS A CONTROLLED DOCUMENT.

DIMENSIONS: INCHES	TOLERANCES UNLESS OTHERWISE SPECIFIED:	DWN: S. GLATFELTER 1-29-88	AMP Tyco Electronics Corporation Harrisburg, PA 17105-3608
0 PLC ± -	1 PLC ± -	CHK: F.C. BALLEW III 2-1-88	NAME: PLUG, PIN CONTACTS HI-DENSITY HDD SERIES
2 PLC ± -	3 PLC ± .005	APVD: F. BALLEW 2-1-88	PRODUCT SPEC: HI-DENSITY HDD SERIES
4 PLC ± -	ANGLES ± 0.30°	SIZE: A1	SCALE: 4:1
MATERIAL: SEE CALLOUTS	FINISH: SEE CALLOUTS	WEIGHT: ---	SHEET 1 OF 1
CUSTOMER DRAWING		00779	REV Y